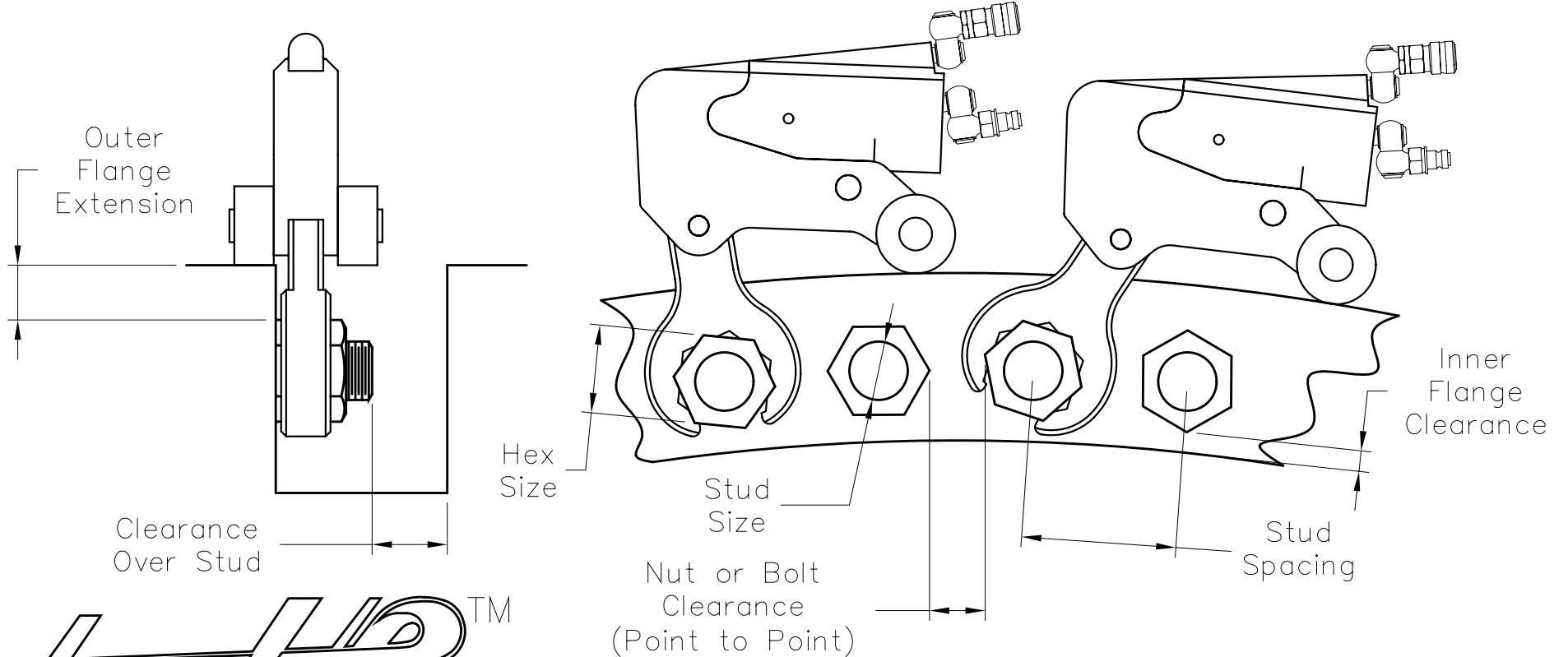


# TORCUP SPANNER WRENCH DIMENSION WORKSHEET



Include bolt pattern specifications if known.

Hex Size	Stud Size	Clearance Over Stud	Nut or Bolt Clearance	Inner Flange Clearance	Outer Flange Extension	Torque Required	Stud Spacing

Sales Rep:	Company Name:	Date:	Approved by Customer: